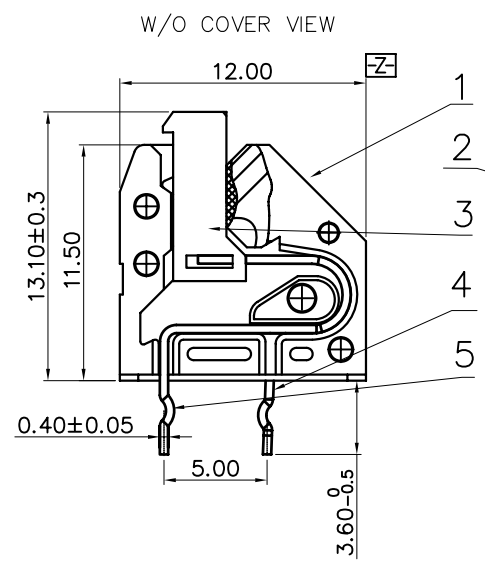
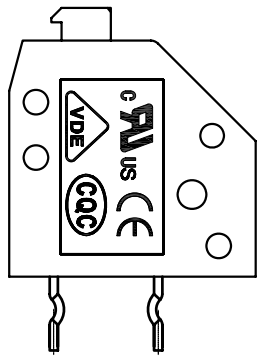


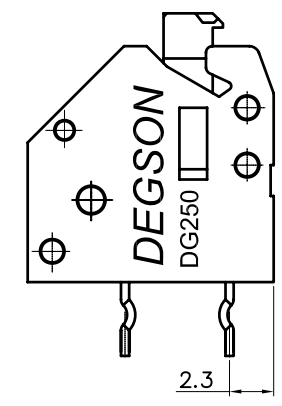
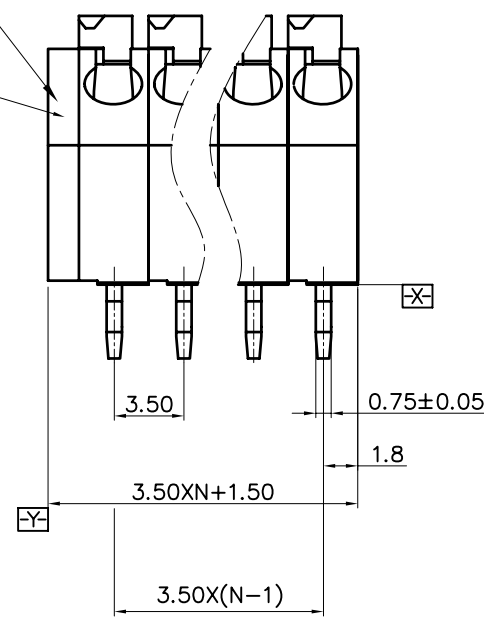
REVISION RECORD				
REV	ECN	DESCRIPTION	DRFT	DATE

H
G
F
E
D
C
B
A

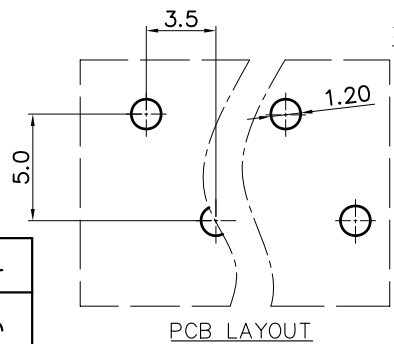


The first pin at left side is back pin.

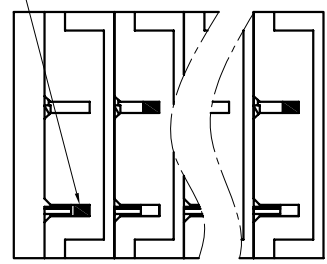
从左侧起，第一个脚位为后脚。



- NOTES:
- 1.DIMENSION SHALL BE INTERPRETED PER ASME Y14.5-2009.
 - 2.PITCH: 3.5MM ,POLES: N=XXP
 - 3.RATED VOLTAGE/CURRENT: UL 300V/7A
VDE 450V/5A
 - 4.OPERATION TEMPERATURES: -40℃~+105℃
 - 5.WITHSTANDING VOLTAGE: AC2500V/1MIN
 - 6.INSULATION RESISTANCE: 5000MΩ/DC1000V
 - 7.WIRE RANGE: 22~18AWG,0.2~0.75MM²
 - 8.UNDIMENSIONED TOLERANCES:



first pin



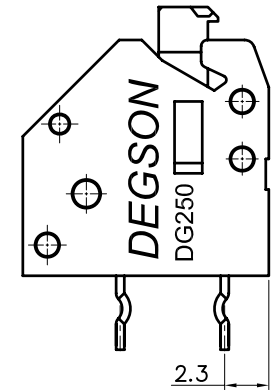
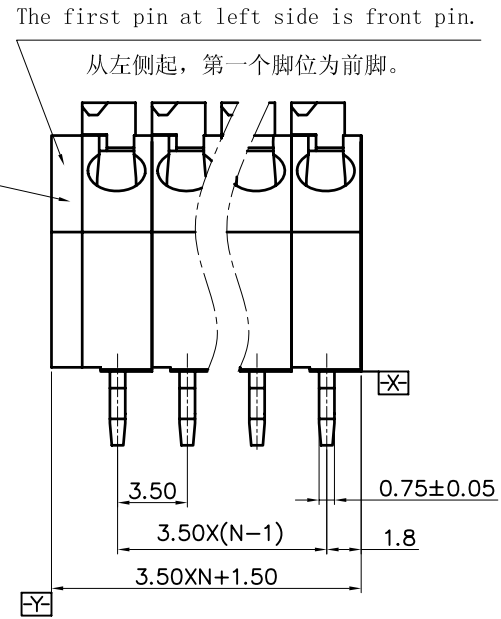
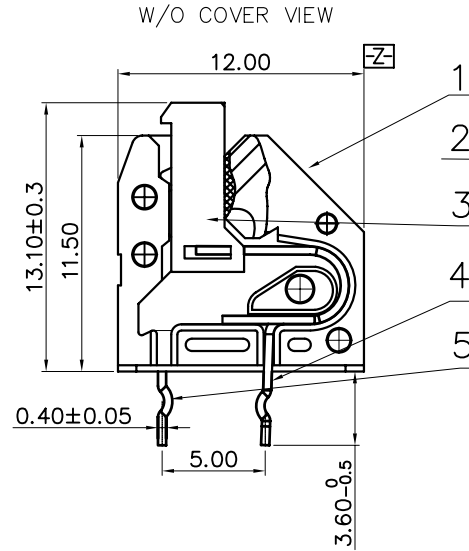
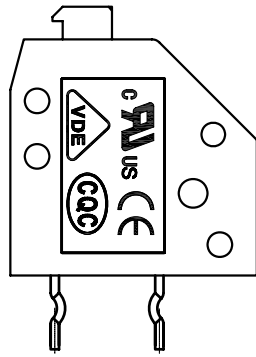
PITCH RANGE IN MM			NOMINAL DIMENSION RANGE IN MM				I	
TO	OVER TO	OVER TO	TO	OVER TO	OVER TO	OVER TO		
6	10	10	30	60	100	150	□	
6	10	24	30	60	100	150		
±0.10	±0.15	±0.25	±0.20	±0.30	±0.50	±0.70	±1.00	0.05/10

1	DG250-3.5-Housing(自动化)	3018AYY01C(H)	XX	PA66	UL94V-0
ITEM	NAME OF PART	NO. OF PART	Q"TY	MATERIAL	NOTES
DETACHED LISTS	← MM (INCH) →		MATERIAL:		
	TOLERANCES EXCEPT AS NOTED		FINISH:		
	.X ±	.XX ±	PART NO.:		
	.XX ±	.XXX ±	NAME:		
ANGLES ± 1°		APPD:		TITLE: ASSEMBLY DRAWING	
THIRD ANGLE PROJECTION		CHKD:		DRAWING NO.:	
		DRFT: MEK 12/25/14"		DO NOT SCALE DRAWING	
		SCALE	1:1	SHEET	1/1

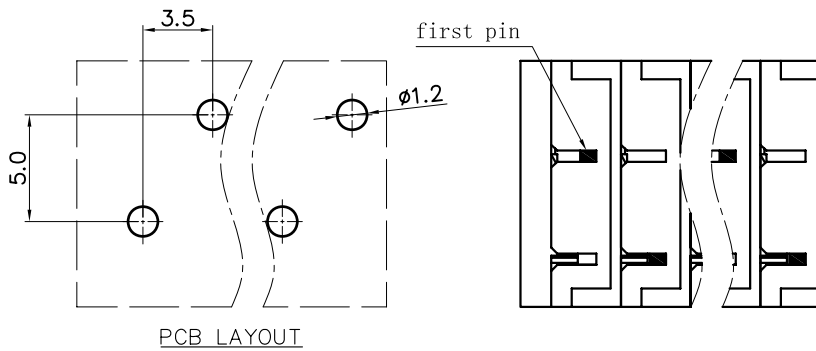
5	DG250-3.5 big Pin header(自动化)	3018B00090(H)	(XX+1)/2-XX/2	Phosphor bronze	Sn plated
4	DG250-3.5 small Pin header(自动化)	3018B00100(H)	(XX-1)/2-XX/2	Phosphor bronze	Sn plated
3	DG250-3.5 Button(自动化)	3018DYY01D(H)	XX	PA66	UL94V-0
2	DG250-3.5 Cover	3018CYY01A(H)	1	PA66	UL94V-0

REVISION RECORD				
REV	ECN	DESCRIPTION	DRFT	DATE

H
G
F
E
D
C
B
A



- NOTES:
 1.DIMENSION SHALL BE INTERPRETED PER ASME Y14.5-2009.
 2.PITCH: 3.5MM ,POLES:N=XXP
 3.RATED VOLTAGE/CURRENT:UL 300V/7A VDE 450V/5A
 4.OPERATION TEMPERATURES:-40℃~+105℃
 5.WITHSTANDING VOLTAGE:AC2500V/1MIN
 6.INSULATION RESISTANCE:5000MΩ/DC1000V
 7.WIRE RANGE:22~18AWG,0.2~0.75MM²
 8.UNDIMENSIONED TOLERANCES:



PITCH RANGE IN MM			NOMINAL DIMENSION RANGE IN MM					TOLERANCE
TO	OVER TO	OVER TO	TO	OVER TO	OVER TO	OVER TO	OVER TO	
6	10	24	30	60	100	150	150	0.05/10
±0.10	±0.15	±0.25	±0.20	±0.30	±0.50	±0.70	±1.00	0.05/10

1	DG250-3.5-Housing(自动化)	3018AYY01C(H)	XX	PA66	UL94V-0
ITEM	NAME OF PART	NO. OF PART	Q"TY	MATERIAL	NOTES
ITEM TOLERANCES EXCEPT AS NOTED	.X ±	.X' ±	PART NO.:	FINISH:	NAME:
	.XX ±	.XX' ±			
	.XXX ±	.XXX' ±			
DETAACHED LISTS	ANGLES ± 1°	APPD:	TITLE: ASSEMBLY DRAWING		
	THIRD ANGLE PROJECTION	CHKD:	DRAWING NO.:		
		DRFT: MEK 12/25/14"	DO NOT SCALE DRAWING	SCALE	1:1
			SHEET	1/1	

5	DG250-3.5 big Pin header(自动化)	3018B00090(H)	XX-1/2/XX/2	Phosphor bronze	Sn plated
4	DG250-3.5 small Pin header(自动化)	3018B00100(H)	XX+1/2/XX/2	Phosphor bronze	Sn plated
3	DG250-3.5 Button(自动化)	3018DYY01D(H)	XX	PA66	UL94V-0
2	DG250-3.5 Cover	3018CYY01A(H)	1	PA66	UL94V-0

H
G
F
E
D
C
B
A