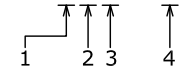


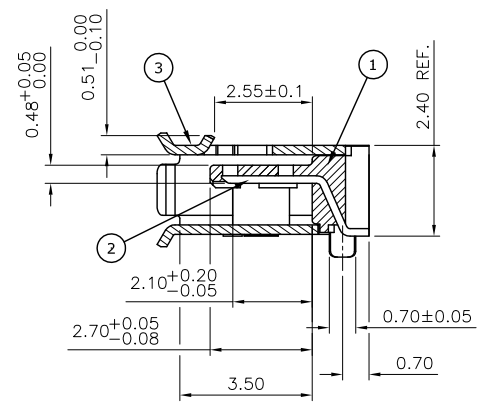
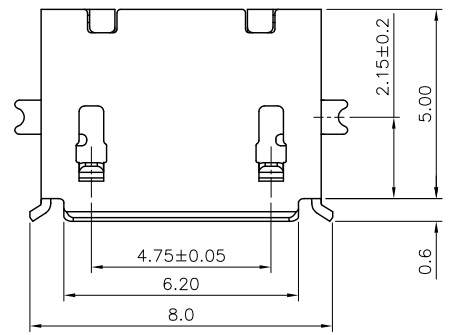
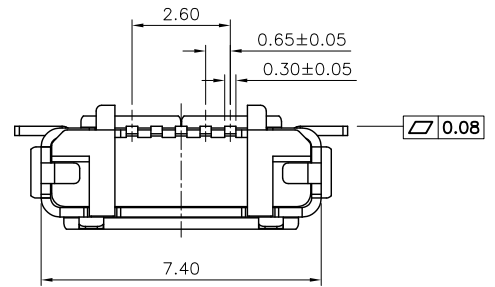
REV.	DESCRIPTION	DRAWN	DATE
1	Revised P/N, Contact Area & Peg Plating	WILLIS	2009/08/11
2	REVISED FRAME	WILLIS	2012/08/03
3	REVISED FRAME & CORRECTED	FROS	2014/12/29

1 PRODUCT NUMBER:

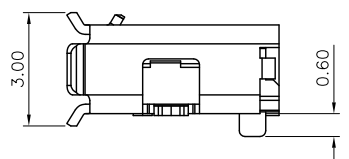
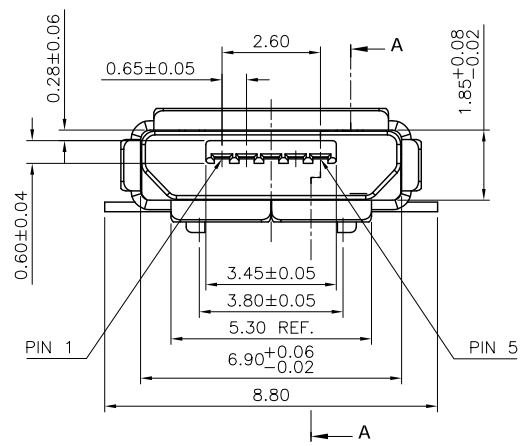
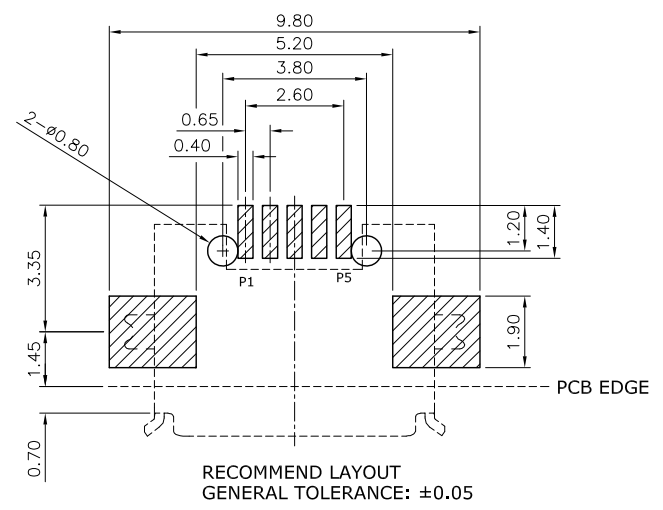
207-A B A 0 - R



- 1. TYPE
A: AB TYPE
- 2. CONTACT PLATING
B: 30u" GOLD PLATING
- 3. PEG
A: WITH PEG
- 4. RoHS



SECTION A-A



3	SHELL	STAINLESS STEEL 0,25T, 40u" NICKEL OVER PLATED
2	CONTACT	COPPER ALLOY 0.2T, CONTACT AREA : Au 30u" MIN. SOLDER AREA: Au 3u" MIN.
1	HOUSING	LCP, UL94V-0, GRAY
NO.	PART NAME	DESCRIPTION

UNLESS OTHERWISE SPECIFIED TOLERANCE

UNIT:	DECIMAL	LINEAR	ANGLES
mm	X.	±0.50	±5°
	X.X	±0.25	±3°
	X.XX	±0.12	±1°



WWW.ATTEND.COM.TW

DRAWN	Willis	2007/06/20	DRAWN NAME:	
CHECKED	Angel	2007/06/20	Micro USB AB Receptacle SMD Type	
APPROVED	Ken	2007/06/20	PRODUCT NO.	207A-ABA0-R
SCALE	5/1	SHEET	1/1	SIZE
			FILE NAME	207A-ABA0-R_B_3